

DH-HAC-HDBW2120R-Z

1.4Megapixel 720P Vandal-proof IR HDCVI Dome Camera



Features

- 1/3" 1.4Megapixel CMOS
- 25/30/50/60fps@720P
- High speed, long distance real-time transmission
- HD and standard definition switchable
- OSD Menu, control over coaxial cable
- Day/Night(ICR), AWB, AGC, BLC, 3D-DNR
- 2.7~12mm motorized lens
- Max. IR LEDs length 30m, Smart IR
- IP66, IK10, DC12V

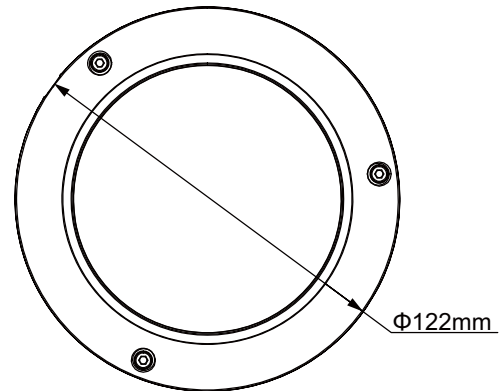
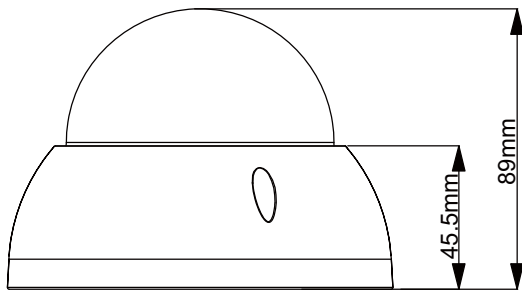
DH-HAC-HDBW2120R-Z

Technical Specifications




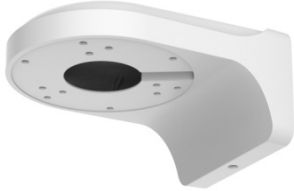
Model	DH-HAC-HDBW2120RP-Z	DH-HAC-HDBW2120RN-Z
Camera		
Image Sensor	1/3" 1.4Megapixel CMOS	
Effective Pixels	1305(H)×1049(V)	
Electronic Shutter	1/3s~1/100,000s	
Video Frame Rate	25/50fps@720P	30/60fps@720P
Synchronization	Internal	
Min. Illumination	0.01Lux@F1.2(AGC ON), 0Lux IR on	
Video Output	1-channel BNC HDCVI high definition video output/ CVBS standard definition video output (Can switch)	
Camera Features		
Max. IR LEDs Length	30m, Smart IR	
Day/Night	Auto(ICR) / Color / B/W	
Noise Reduction	2D/3D	
OSD Menu	Support	
Lens		
Focal Length	2.7~12mm	
Angle of View	H: 90° ~28.7°	
Lens Type	Motorized / Fixed Iris	
Mount Type	Φ14	
General		
Power Supply	DC12V±10%	
Power Consumption	Max 8.6W	
Working Environment	-30°C~+60°C / Less than 95%RH (no condensation)	
Transmission Distance	Over 500m via 75-3 coaxial cable	
Ingress Protection	IP66 & IK10	
Dimensions	Φ122mm×89mm	
Weight	0.45kg	

DH-HAC-HDBW2120R-Z

Dimensions (mm)



Accessories (optional)

			
PFA123	PFA151	PFA152	PFB200W

Dahua Technology Co., Ltd.

1199 BinAn Road, Binjiang District, Hangzhou, China

Tel: +86-571-87688883

Fax: +86-571-87688815

Email: overseas@dahuatech.com

www.dahuasecurity.com

*Design and specifications are subject to change without notice.

© 2014 Dahua Technology