

DH-HDC-HFW3200C

2Megapixel 1080P IR-Bullet HD-SDI Camera



Features

- > 1/3" 2Megapixel Exmor CMOS
- > Standard HD-SDI high definition digital interface (SMPT274/292)
- > 25/30fps@1080p, 50/60fps@720P(1280×720)
- > DWDR, Day/Night(ICR), 2DNR, AWB, Auto iris, AGC, BLC
- > 3.3~12mm varifocal lens
- > Max. IR LEDs length 20m
- > OSD, AC24V/DC12V

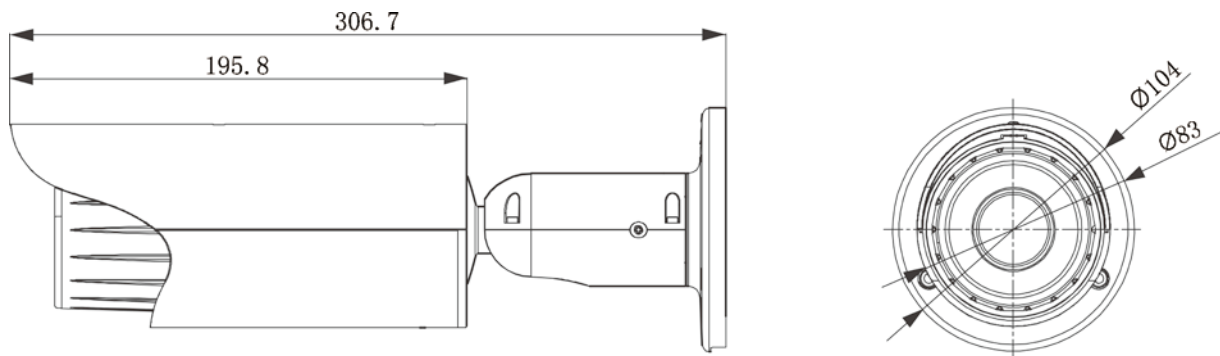
DH-HDC-HFW3200C

Technical Specifications

Model	DH-HDC-HFW3200CP	DH-HDC-HFW3200CN
Camera		
Image Sensor	1/3" 2Megapixel Exmor CMOS	
Effective Pixels	1920(H) x1080(V)	1920(H) x1080(V)
Electronic Shutter	Auto/Manual(1/3~1/10000s)	Auto/Manual(1/4~1/10000s)
Image Resolution	25fps@1080P(1920×1080)/720P (1280×720); 50fps@720P(1280×720)	30fps@1080P(1920×1080)/720P (1280×720); 60fps@720P(1280×720)
Min. Illumination	Color: 0.1Lux/F1.4, B/W: 0.01Lux /F1.4; 0Lux /F1.4(IR on)	
S/N Ratio	>52dB	
Video Output	1Vp-p Composite Output (75Ω/BNC)	
HD-SDI Video Output	1ch HD-SDI high-definition video (SMPTE 292M standard)	
Camera Features		
Max. IR LEDs Length	20m	
OSD	English, Chinese(Simplified/Traditional)	
Day/Night	Auto(ICR) / Color / B/W	
Backlight Compensation	BLC / DWDR	
White Balance	Auto/ Manual	
Gain Control	Auto / Manual	
Noise Reduction	2D	
Picture Adjustment	Mirror / Brightness / Contrast / Sharpness / Hue / Gain	
Lens		
Focal Length	3.3~12mm	
Max Aperture	F1.4	
Focus Control	Manual	
Angle of View	79.3°(Wide)~29.8°(Tele)	
Lens Type	Manual / Auto iris (DC)	
Mount Type	Board-in Type	
Auxiliary Interface		
RS485	1 Port	
General		
Power Supply	AC24V±10% / DC12V±10%	
Power Consumption	<10W	
Working Environment	-10 °C ~+60 °C, 10%~90%	
Dimensions	Φ104mm × 306.7mm	
Weight	1.25Kg	

DH-HDC-HFW3200C

Dimensions (mm)



Dahua Technology Co., Ltd.

1187 BinAn Road, Binjiang District, Hangzhou, China

Tel: +86-571-87688883

Fax: +86-571-87688815

Email: overseas@dahuatech.com

www.dahuatech.com

*Design and specifications are subject to change without notice.

© 2012 Dahua Technology Co., Ltd.